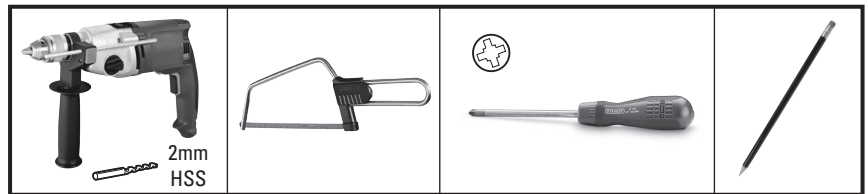
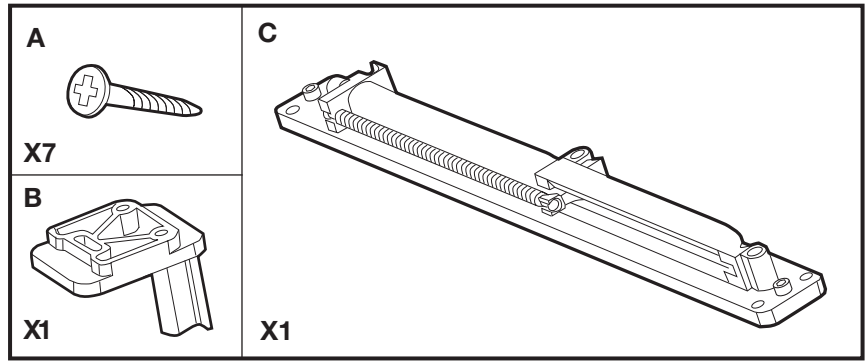
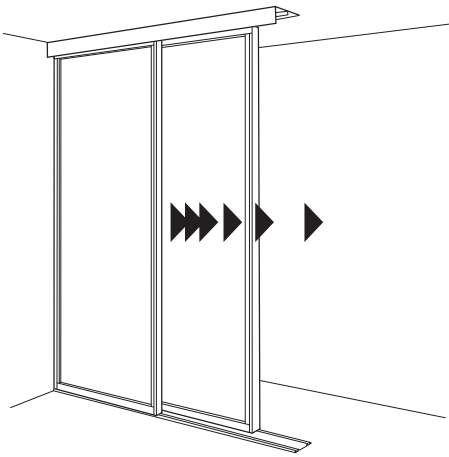


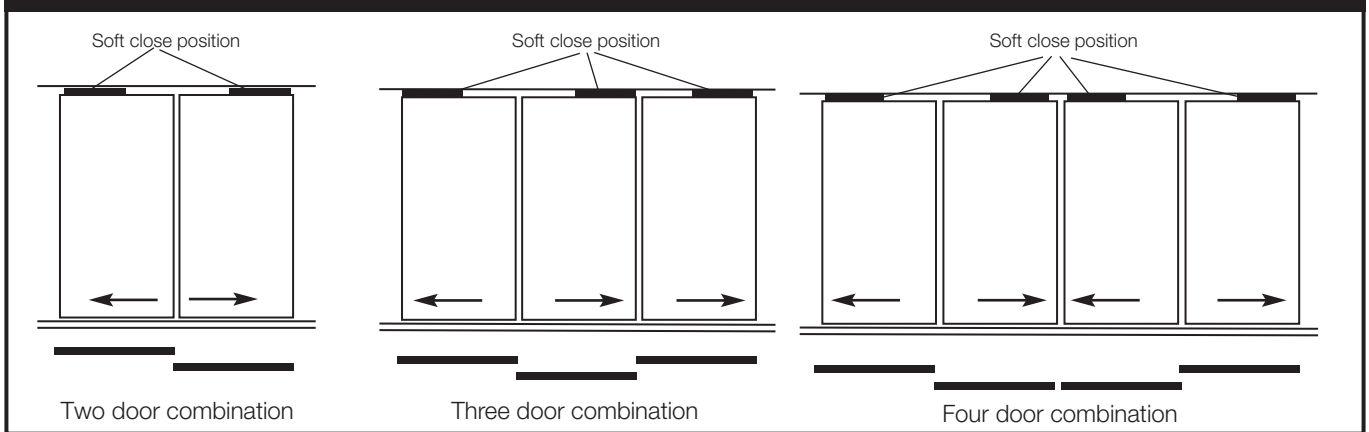
# SOFT CLOSE KIT



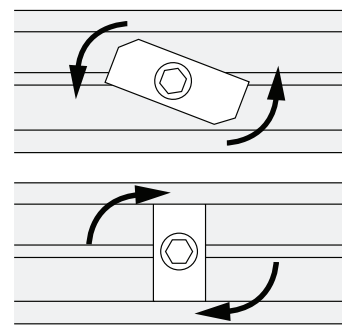
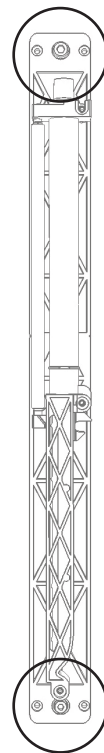
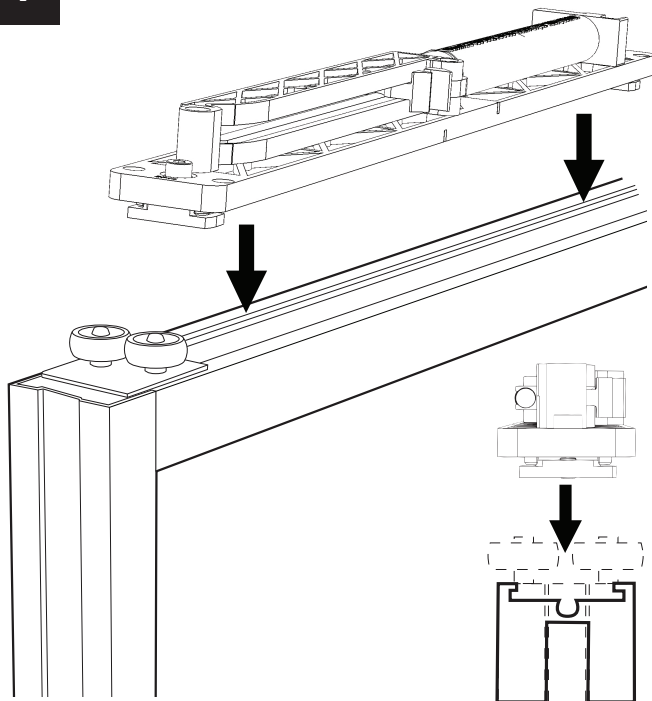
## Before you start

Ensure that all your sliding doors are installed correctly and adjusted to your satisfaction.

## POSITIONING GUIDE



**1**



**a:**

**b1:**

**a:** Loosen both locking plates found at both ends of the soft-close (C).

**b:** Position the soft-close in place (approx 10mm away from the wheels).

**b1:** Tighten the Locking plates back into position, locking the soft close in place.

**2 Mark Centre Notch with Soft Pencil onto Top Door Rail**

Left closing action

Centre notch

Right closing action

**3 Stretch spring into position**

click

**4 Fit Door in Closed Position and Transfer Pencil Line to Top Track Set**

Left closing action

Right closing action

**MEASURING UP & FITTING THE SOFT CLOSE PIN**

**5 When the Doors are in place...**  
 Measure from bottom of the top rail to the top of the Track (A). Then, subtract 37mm off this measurement. This gives you the height at which your Pin needs to be.

**Pin Height = A - 37mm**

top track

pin

pin

(A)

37mm

**6 Trim the pin**  
 Trim the Pin length to the measurement from Step 5

**7 Fit pin into top track set**  
 using pencil marks from step 4 as a guide

For left closing door rotate pin 180°

**8 Fix pin**

(Screw AX1)

**9 Adjust Pin**

**10 Final Fix**  
 (Screw AX2)

**11**

**Tip**  
 When the pin engages with the soft close it should create a smooth closing action. If this is not the case, the pin is still too long and is catching the soft close casing.  
 This can be rectified by lowering the 'ride height', or by cutting more off the pin length.

Installing Soft Close (D1) HD11.12